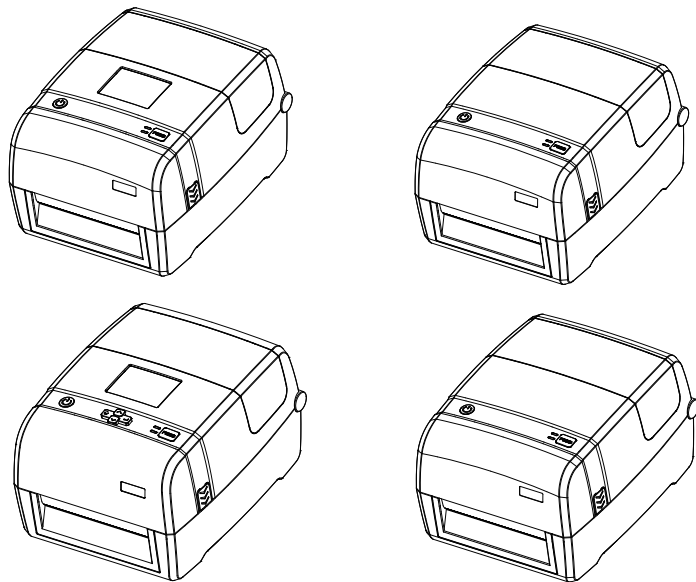


Quick Start Guide

iT4 Series



Xiamen Hanin Electronic Technology Co.,Ltd.

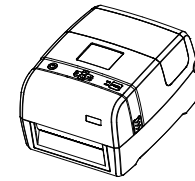
ADD: Room 305A,Angye Building,Pioneering Park,
Torch High-tech Zone,Xiamen,China.

TEL: +86-(0)592-5935252

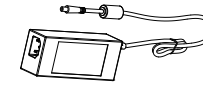
FAX: +86-(0)592-5930505

WEB:www.idprt.com

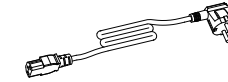
Packing List



Printer(eg:iT4E)



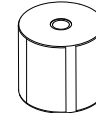
AC Adapter



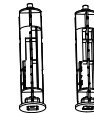
Power Cord



USB Cable



Label Roll



Ribbon Spindles



Ribbon



Empty Ribbon Core



CD

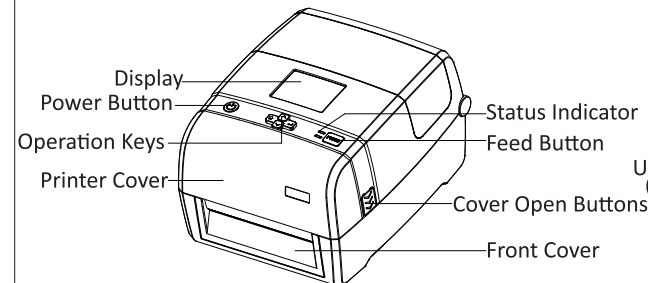


Quick Start Guide

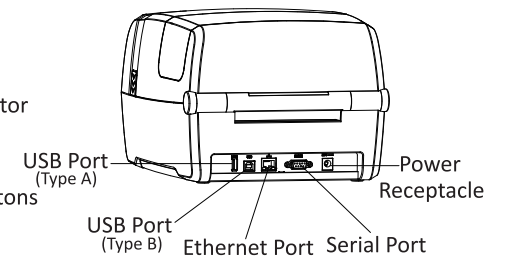
⚠Note: The packing materials are actually based on the order.

Appearance and Components

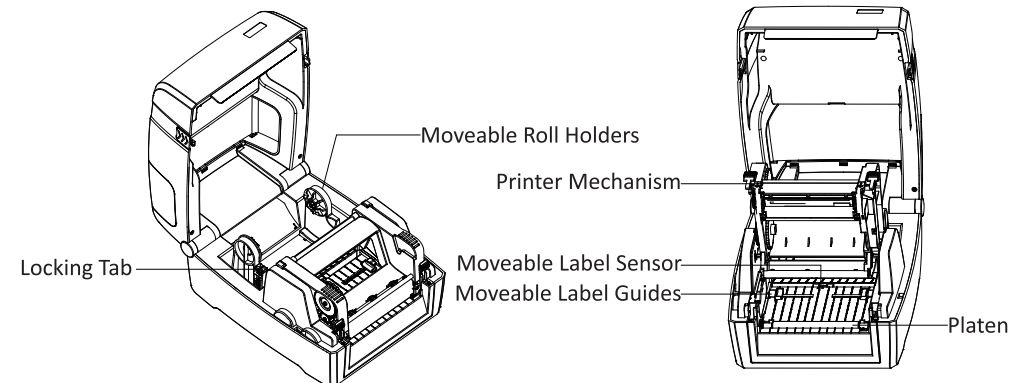
■ Front View(eg:iT4E)



■ Rear View



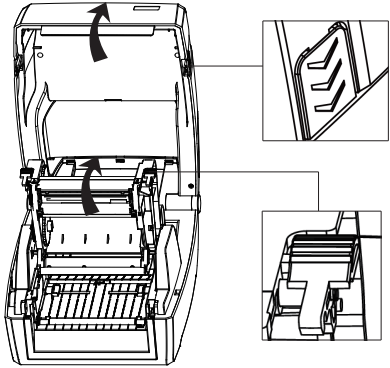
■ Inside View



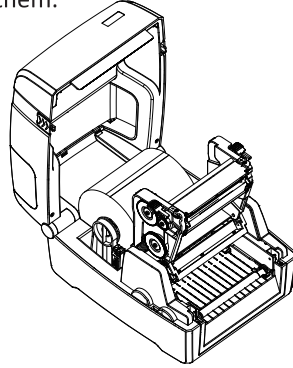
⚠Note: The views above are for your reference. Ports vary by your choice.

Loading the Roll

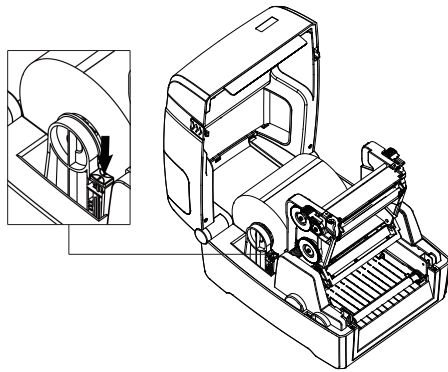
1. Press to open the printer cover and mechanism.



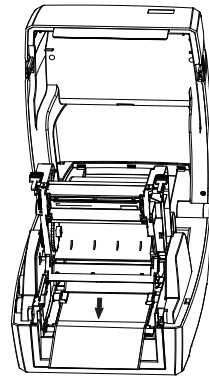
2. Pull the roll holders open and place the roll between them.



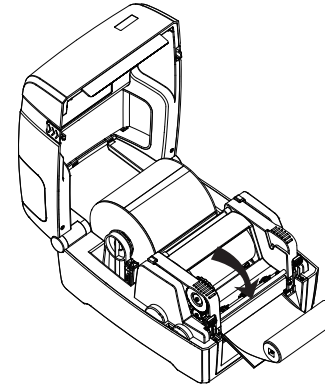
3. Press down the locking tab.



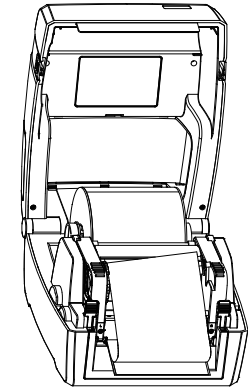
4. Pass the labels through label guides and adjust label guides to label's width.



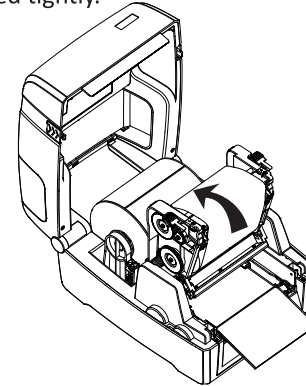
3. Press down the printer mechanism.



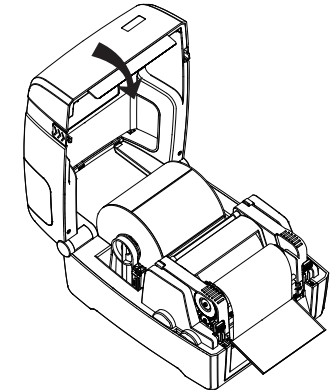
4. Insert the left part of rewind spindle and then the right part.



5. Wind the core 2~3 circles until the ribbon is pulled tightly.

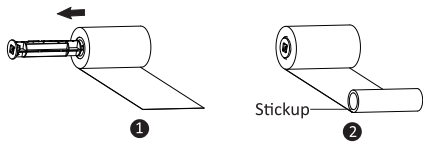


6. Fix the mechanism and close the cover.

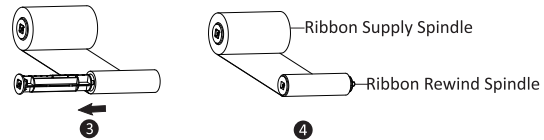
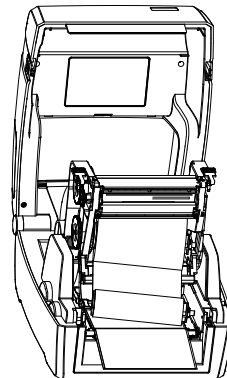


Loading the Ribbon

1. Install the ribbon module.

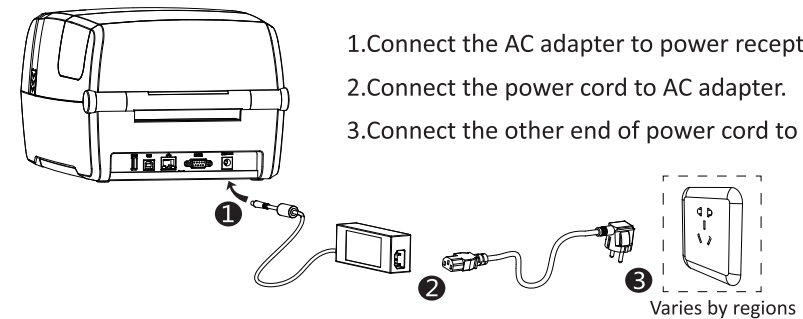


2. Insert the left part of supply spindle and then the right part.



Connecting the Power

1. Connect the AC adapter to power receptacle.
2. Connect the power cord to AC adapter.
3. Connect the other end of power cord to the outlet.



⚠ Note: Please refer to windows driver installation in *iT4 Series User Manual*.